



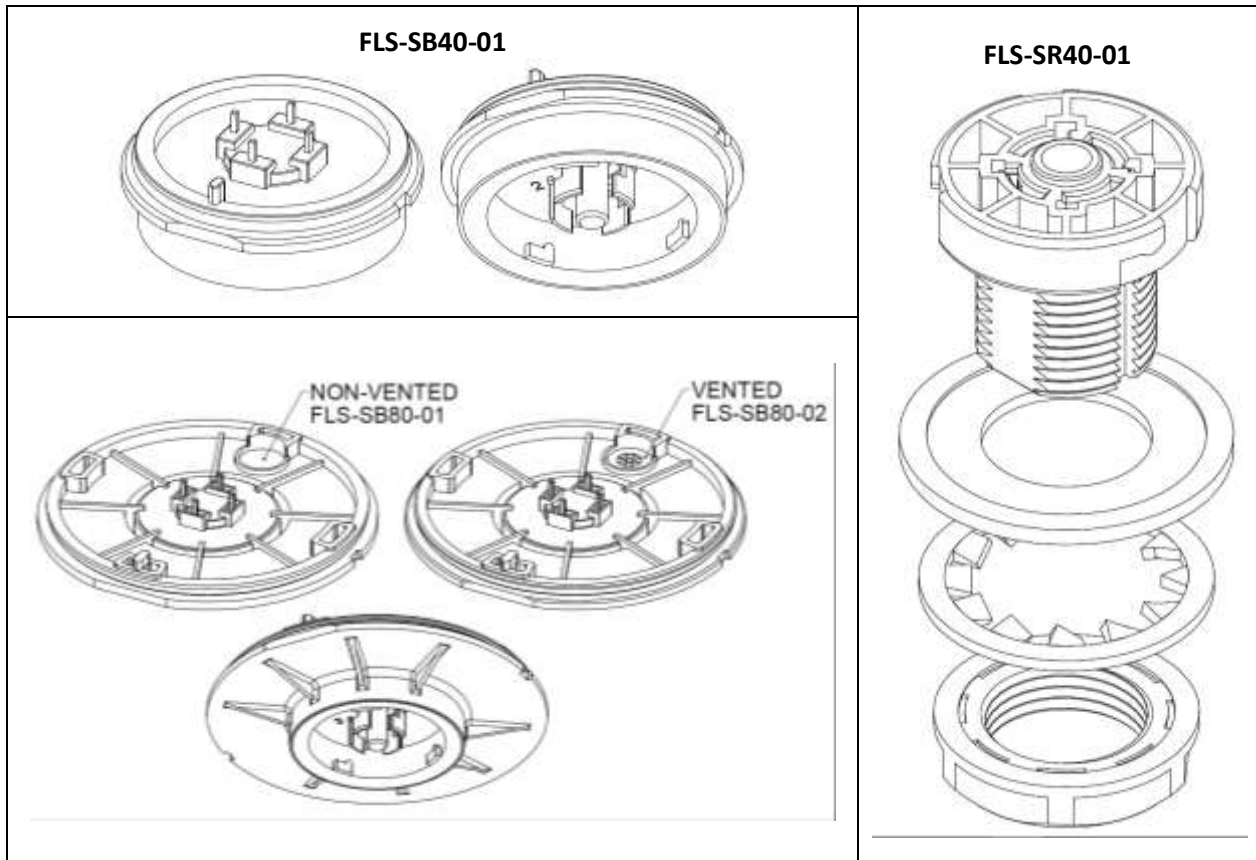
EU DECLARATION OF CONFORMITY

**Amphenol
ICC**

We, Manufacturer: Amphenol Canada Corp
605 Milner Ave
Toronto, ON M1B5X6
Canada

Declare under our sole responsibility that:

Product Name: FLS Series, Book 18 Receptacles & Bases



are in conformity with the following EU harmonization legislation:

2014/35/EU – Low Voltage Directive
2011/65/EU - RoHS Directive

and that the equipment is in conformity with the following harmonized or other appropriate standards;

2014/35/EU (LVD) – Harmonized standards applied:

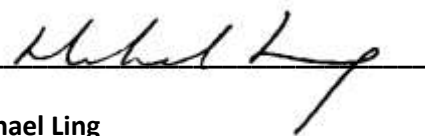
IEC 61984:2008 - Connectors - Safety requirements and tests



**EU DECLARATION
OF CONFORMITY**

**Amphenol
ICC**

I, the undersigned, hereby declare that the products specified above conform to the listed directives and standards:

Signature: 

Name: Michael Ling

Title: Quality Assurance Manager

Location: Toronto, Ontario
Canada

Date: November 26, 2021

Established Economic Operator:

Amphenol Infocom Europe
Hoofdveste 19
3992 DH Houten, P.O. Box 63
3990 DB Houten, Netherlands
P 31-30-635-8000
F 31-30-637-7034