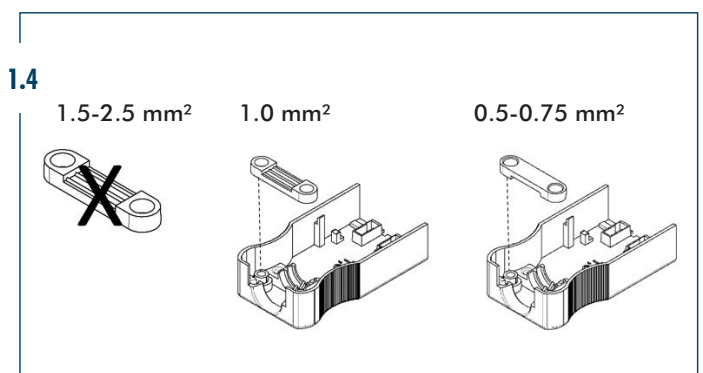
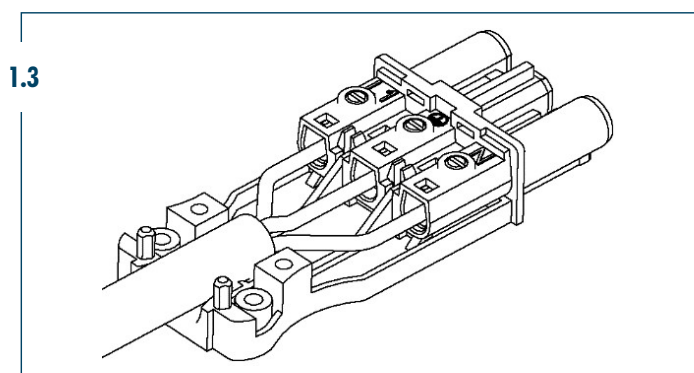
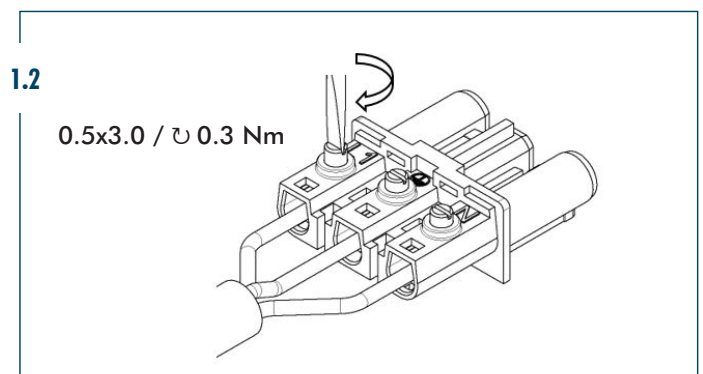
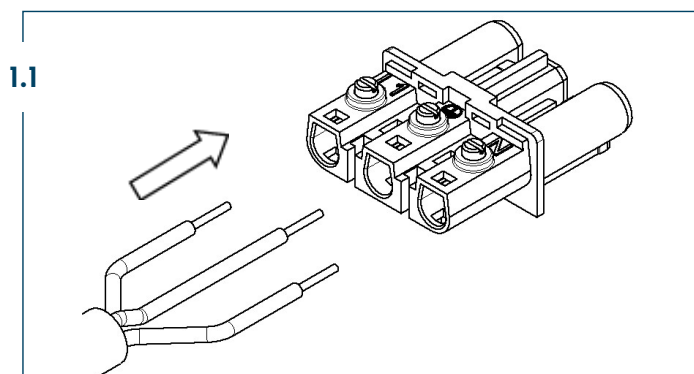
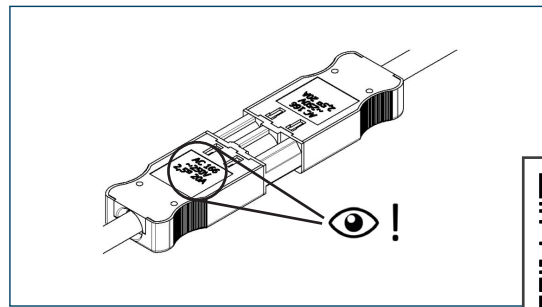
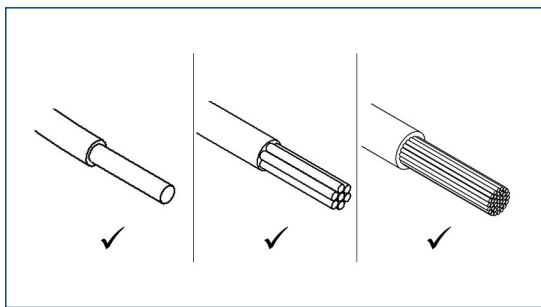
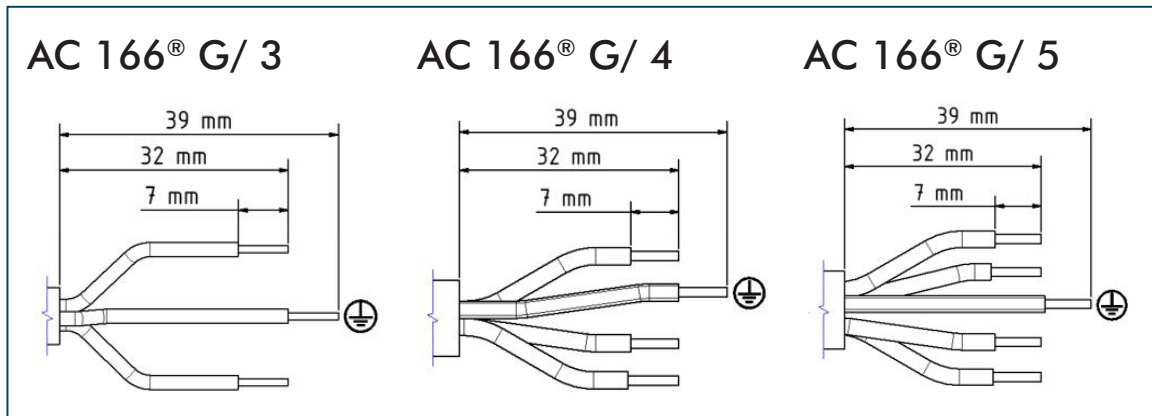
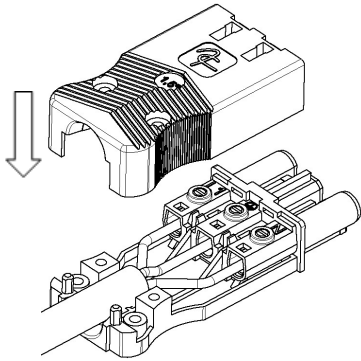


# AC 166<sup>®</sup> GSTF-GBUF

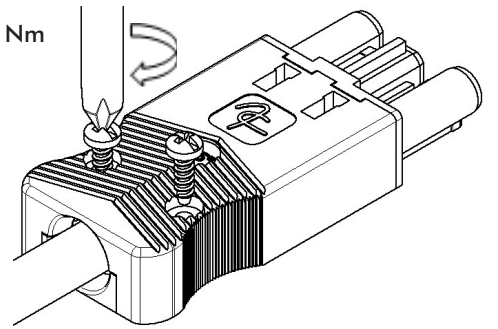
## Montage / Installation / Ensamblaje / Assemblaggio



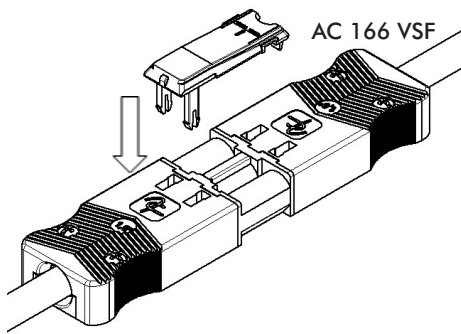
1.5



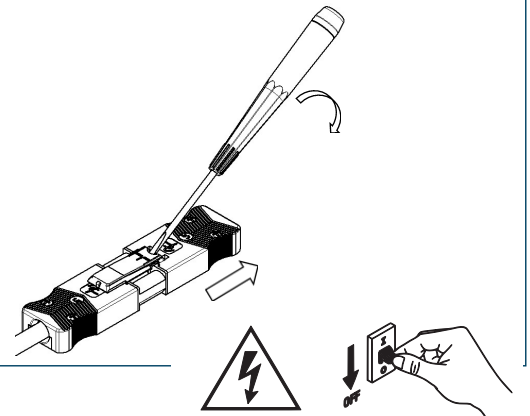
1.6 PZ 1 /  $\approx 0.5$  Nm



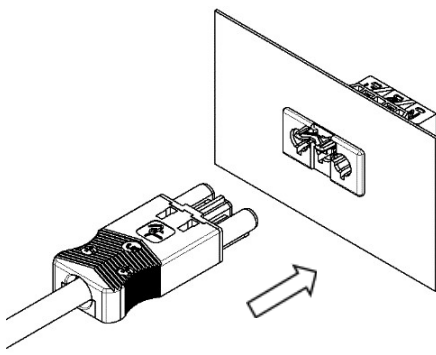
2.1



2.2



3.1



3.2

