


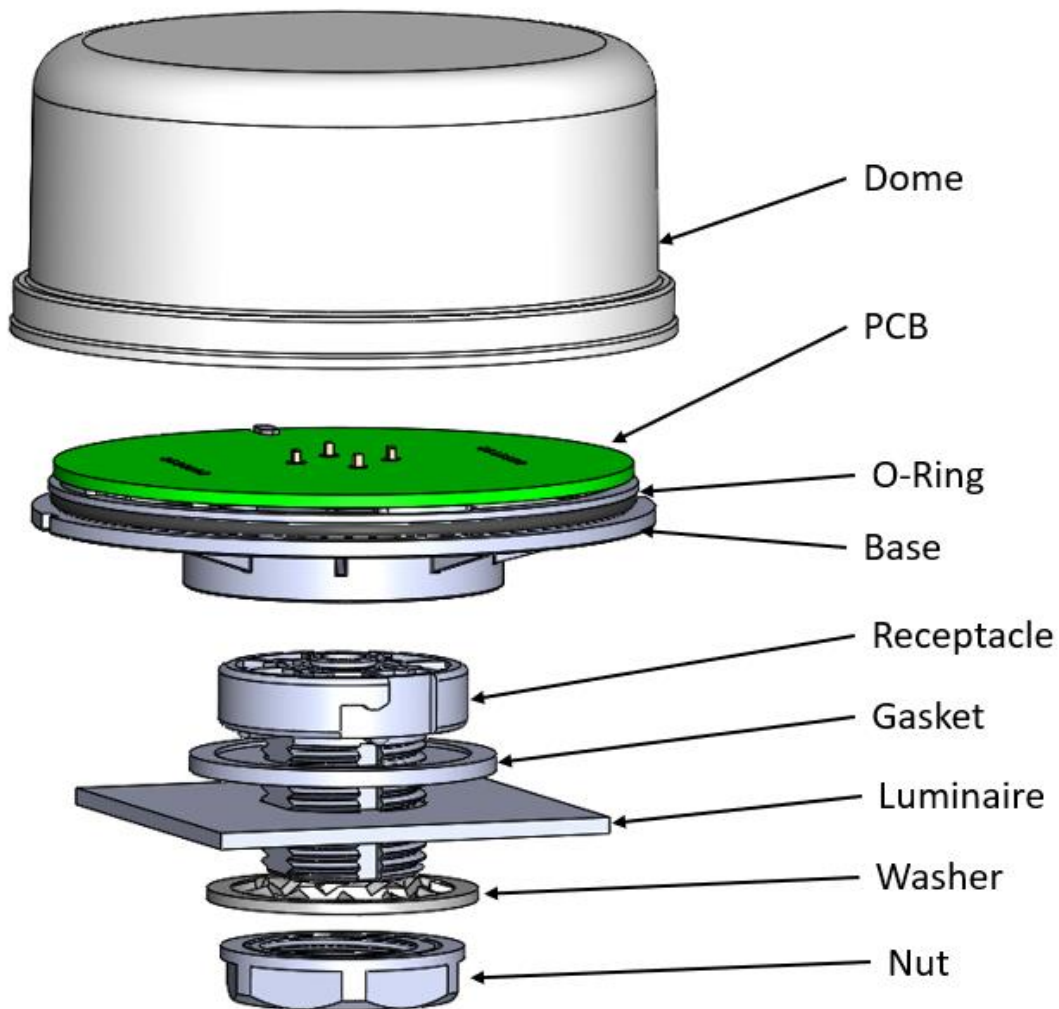
NUMBER S6176C	CATEGORY Application Specification		
TITLE FLS – Zhaga Book 18 Connectors Outdoor Luminaire Extension Interface		ISSUED BY Shan Mugan	REVISION 1.2
		APPROVED BY Adrian Green	DATE February 7, 2022
		CLASSIFICATION Unrestricted	


1. Overview

This Application Specification covers the application requirements for the Zhaga Book 18 Outdoor Luminaire Extension Interface-electrical and communication connectors. The interface consists of receptacle, mating interface base, sealed dome, and cap.

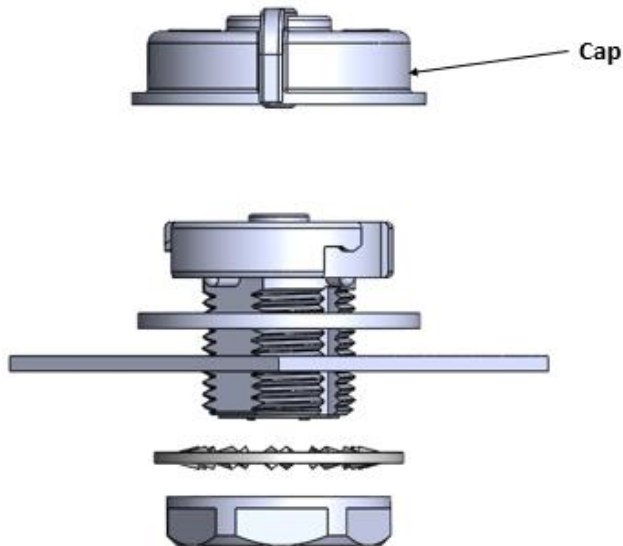
2. FLS-Zhaga Book 18 Assemblies

2.1 Assembly with communication module



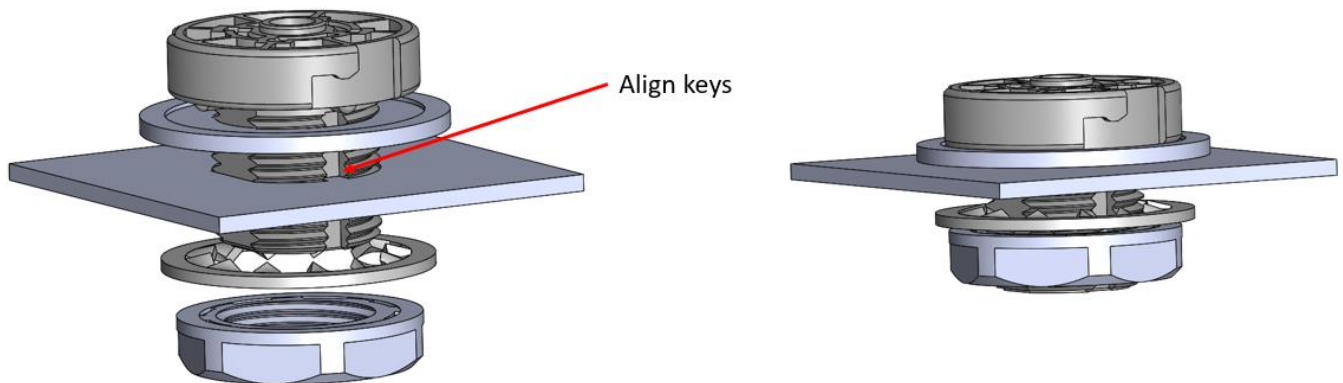
NUMBER S6176C	CATEGORY Application Specification		
TITLE FLS – Zhaga Book 18 Connectors Outdoor Luminaire Extension Interface		ISSUED BY Shan Mugan	REVISION 1.2
		APPROVED BY Adrian Green	DATE February 7, 2022
		CLASSIFICATION Unrestricted	

2.2 Receptacle and Cap



2.3 Assembly of the Receptacle to the Luminaire

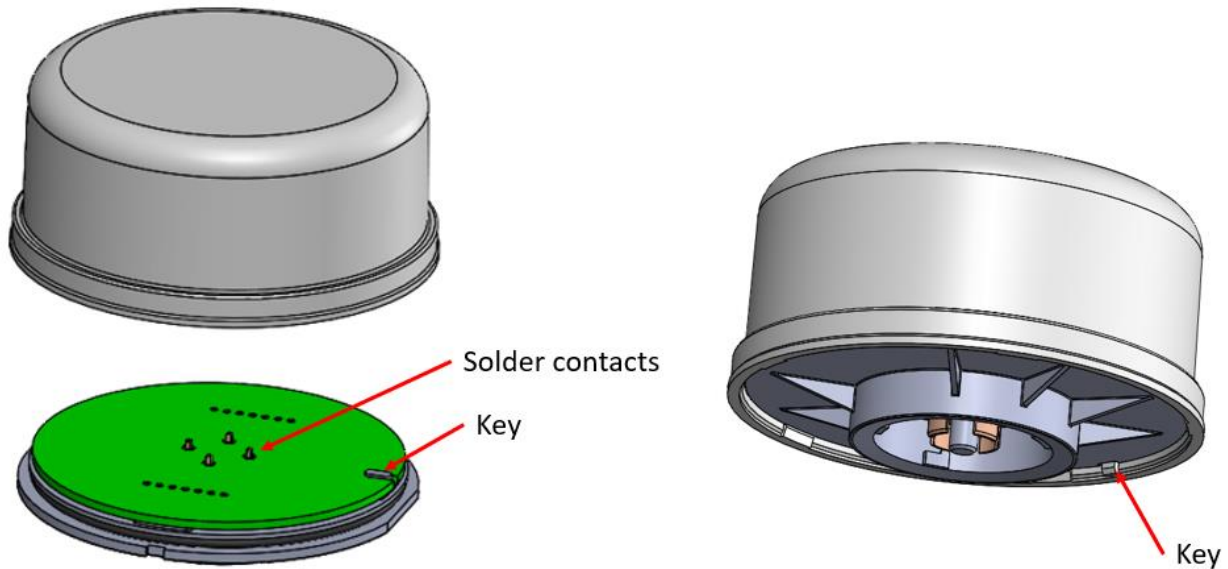
Insert the threaded portion of the receptacle through the gasket. Align the receptacle key with the luminaire key and rest the receptacle on the luminaire. Insert washer and the nut as shown below and tighten the nut to 1.8 – 2.8 Nm with 27 mm hex socket.



NUMBER S6176C	CATEGORY Application Specification	Amphenol ICC	Commercial Industrial
TITLE FLS – Zhaga Book 18 Connectors Outdoor Luminaire Extension Interface		ISSUED BY Shan Mugan	REVISION 1.2
		APPROVED BY Adrian Green	DATE February 7, 2022
		CLASSIFICATION Unrestricted	

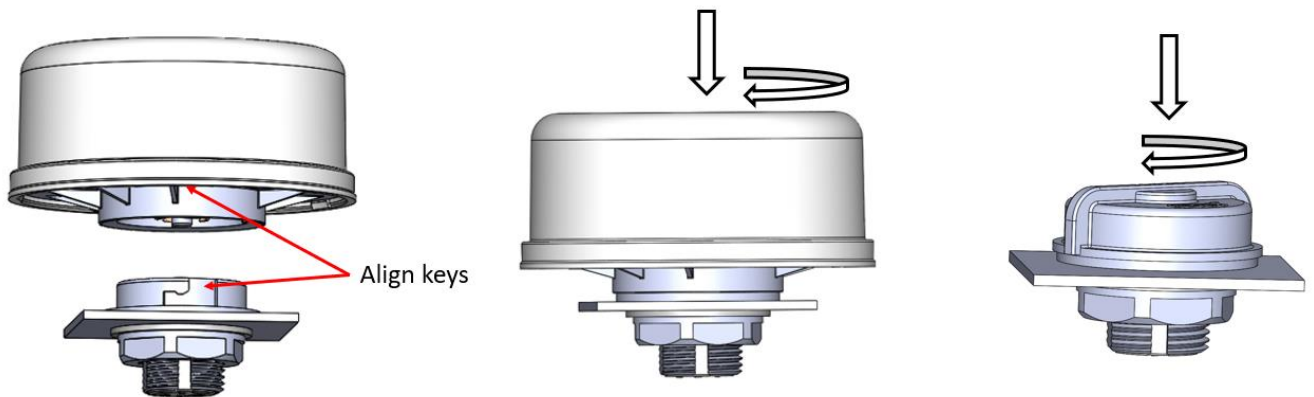
2.4 Assembly of Base, PCB and Dome


Align the key on the PCB with the base and seat the PCB assembly on the base. Solder the four contacts to the PCB. Align the key on the base with the dome. Snap the dome to the base.



2.5 Assembly of the Base assembly or Cap to Receptacle

Align keys of the receptacle and base. Push down and rotate clockwise to lock.



NUMBER S6176C	CATEGORY Application Specification	Amphenol ICC  Commercial Industrial	
TITLE FLS – Zhaga Book 18 Connectors Outdoor Luminaire Extension Interface		ISSUED BY Shan Mugan	REVISION 1.2
		APPROVED BY Adrian Green	DATE February 7, 2022
		CLASSIFICATION Unrestricted	

3. Drawing Numbers

P-FLS-SR40-01	Receptacle
P-FLS-SB40-01	40 mm base
P-FLS-SB80-01	80 mm base
P-FLS-SB80-02	80 mm base vented
P-FLS-C40-XXX-000	40 mm dome
P-FLS-C80-XXX-000	80 mm dome
P-FLS-2SC40-01BP	Cap

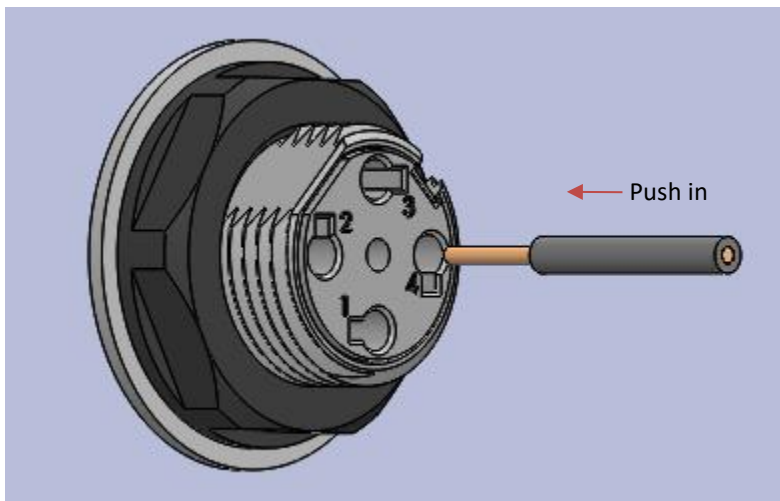
4. Product Specification Number


S6161C – FLS Series Zhaga Book 18

5. Insertion of wire to receptacle

Prepare the wire as below and push the wire in to the opening as shown below, the wire will get locked in

- Maximum insulation diameter 2.95 mm
- Recommended strip wire length is 8-11 mm
- Recommended wires
 - 16 AWG - solid
 - 18 AWG – solid or tin dipped stranded
 - 20 AWG – solid or tin dipped stranded



NUMBER S6176C	CATEGORY Application Specification	Amphenol ICC  Commercial Industrial	
TITLE FLS – Zhaga Book 18 Connectors Outdoor Luminaire Extension Interface		ISSUED BY Shan Mugan	REVISION 1.2
		APPROVED BY Adrian Green	DATE February 7, 2022
		CLASSIFICATION Unrestricted	

6. Wire removal

Use the wire removal tool (Part # FLS-RT40-01) to release the wire, as demonstrated below.

